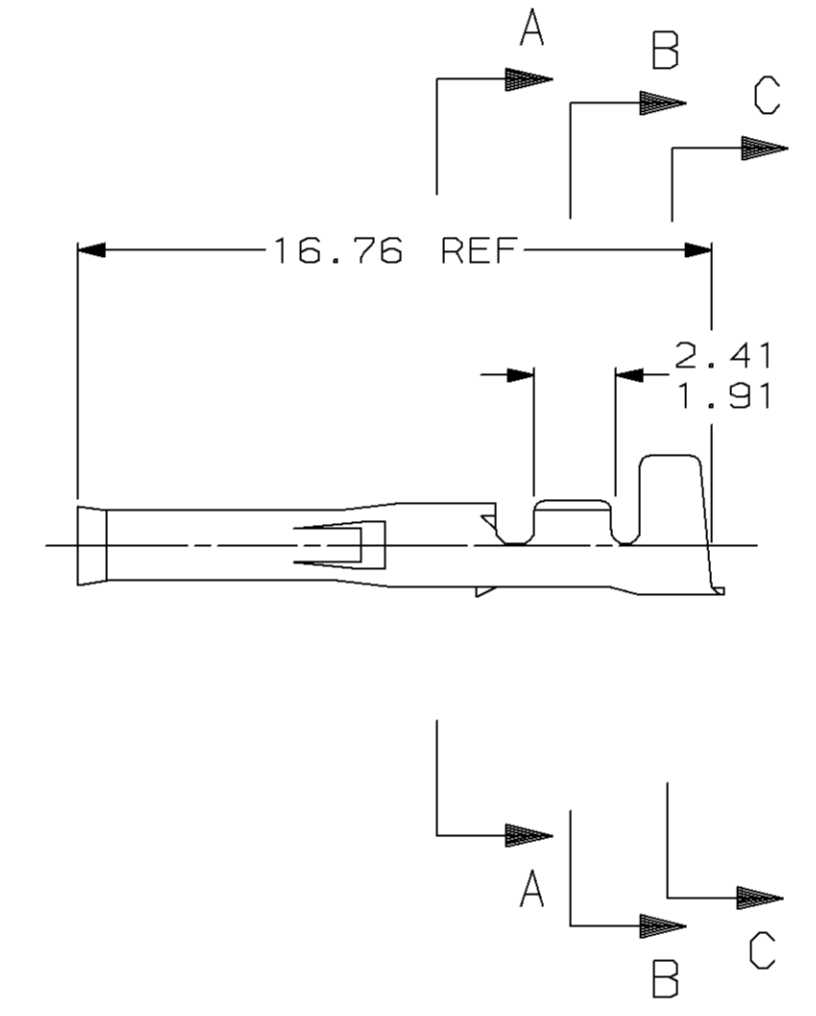
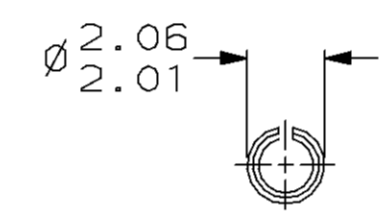
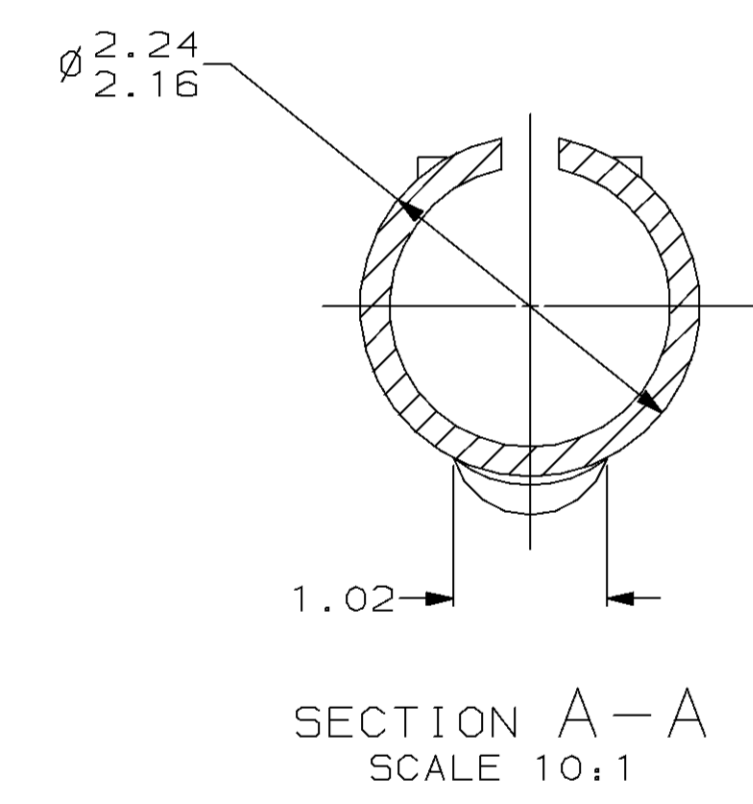
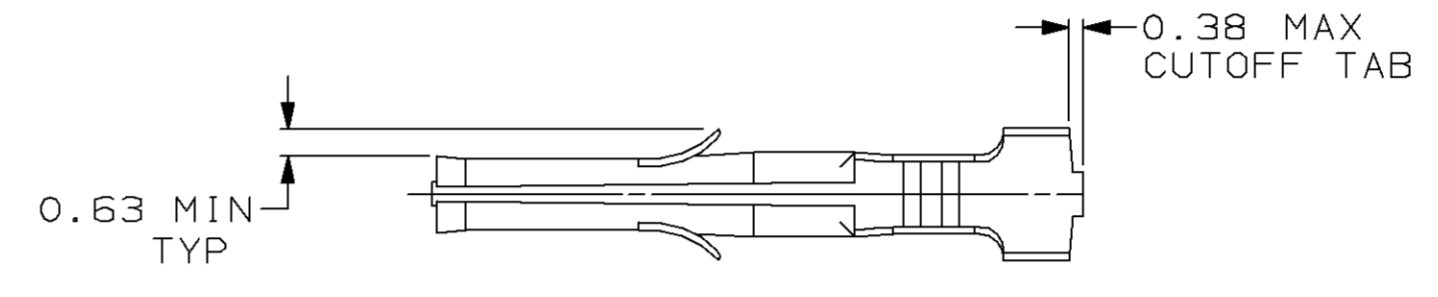
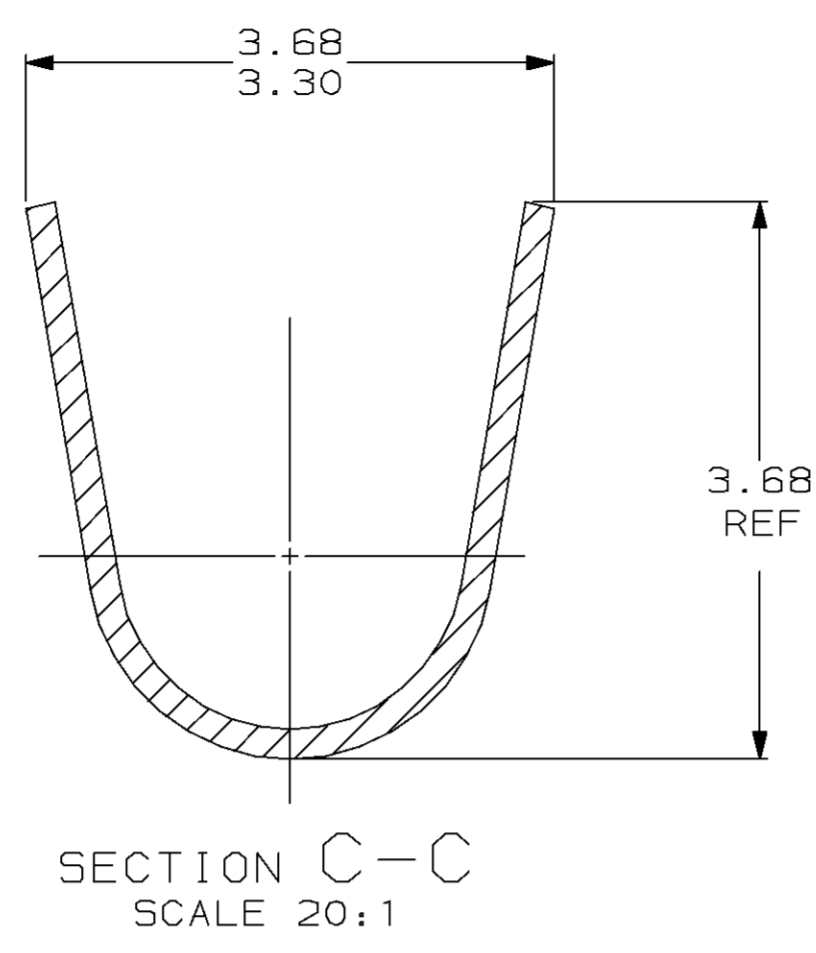
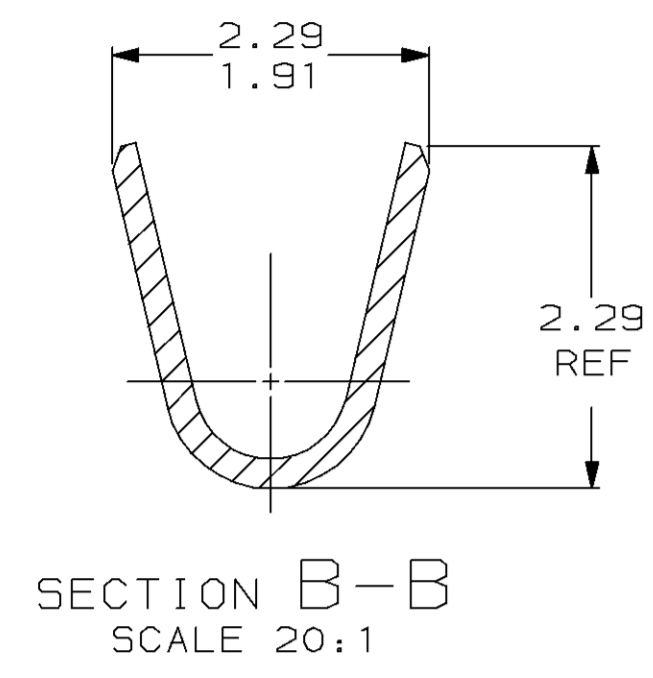
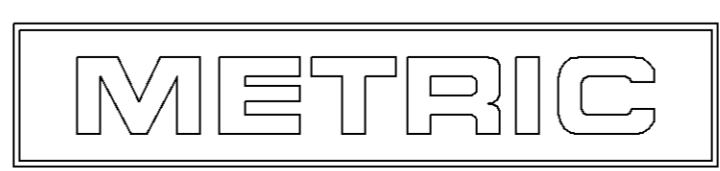


LOC		01ST		P		F		ZONE		LTR		REVISIONS		DATE	APPD
CM	53											0	RELEASED PER PR CM 93-69	7-14-93	LS RS



MM	IN
16.76	.660
3.68	.145
3.30	.130
2.79	.110
2.41	.095
2.29	.090
2.24	.088
2.16	.085
2.06	.081
2.01	.079
1.91	.075
1.27	.050
1.02	.040
0.63	.025
0.38	.015
0.20	.008
0.13	.005
MM	IN

CONVERSION TABLE



PRE-TIN	0.20 BRASS	1.27-2.79	0.2 - 0.9 mm <sup>2</sup> (24-18 AWG)	794016-1
FINISH	MATERIAL	INSULATION DIAMETER	WIRE RANGE	PART NO
DO NOT SCALE PRINT. UNLESS SPECIFIED DIMENSIONS IN mm [INCHES] TOLERANCES ON: 2 PLC DEC ± 0.13 3 PLC DEC ± - ANGLES ± 0°30'		DR 7-14-93 L. SMITH CHK 7-14-93 R. SWING APPD 7-15-93 C. CASH	AMP INCORPORATED Harrisburg, Pa. 17105	
SEE TABLE		PRODUCT SPEC	NAME .062 SOCKET, LOOSE PIECE, COMMERCIAL PIN & SOCKET	
FINISH SEE TABLE		APPLICATION SPEC	SIZE D 00779	DRAWING NO 794016
WEIGHT			SCALE 5:1	SHEET 1 OF 1